



Opto Plus LED Corp.
0.28" SMD Type LED Display
OPS-T2812SYG | OPS-T2811SYG

● **EDIT HISTORY**

Version A: Nov. 16, 2020

Preliminary Spec.



Opto Plus LED Corp.

0.28" SMD Type LED Display

OPS-T2812SYG | OPS-T2811SYG

● FEATURES

- 0.28 inch (7.00 mm) Digit Height.
- SMD type.
- Low current operation.
- RoHS Compliant, Pb Free.

● DESCRIPTION

The device are 0.28 inch (7.00 mm) height triple digit 7-segment displays.

The device is Opto Plus LED Corp standard LED Display.

This device utilizes Super Bright Yellow Green LED chip which are made from InGaN on a transparent GaN, substrate.

The device has face and segment option, please refer to **PRODUCT APPEARANCE**.

● DEVICE

PART NO.	DESCRIPTION
OPS-T2812SYG-GW	Common Anode Gray face White segment
OPS-T2811SYG-GW	Common Cathode Gray face White segment
OPS-T2812SYG-BW	Common Anode Black face White segment
OPS-T2811SYG-BW	Common Cathode Black face White segment

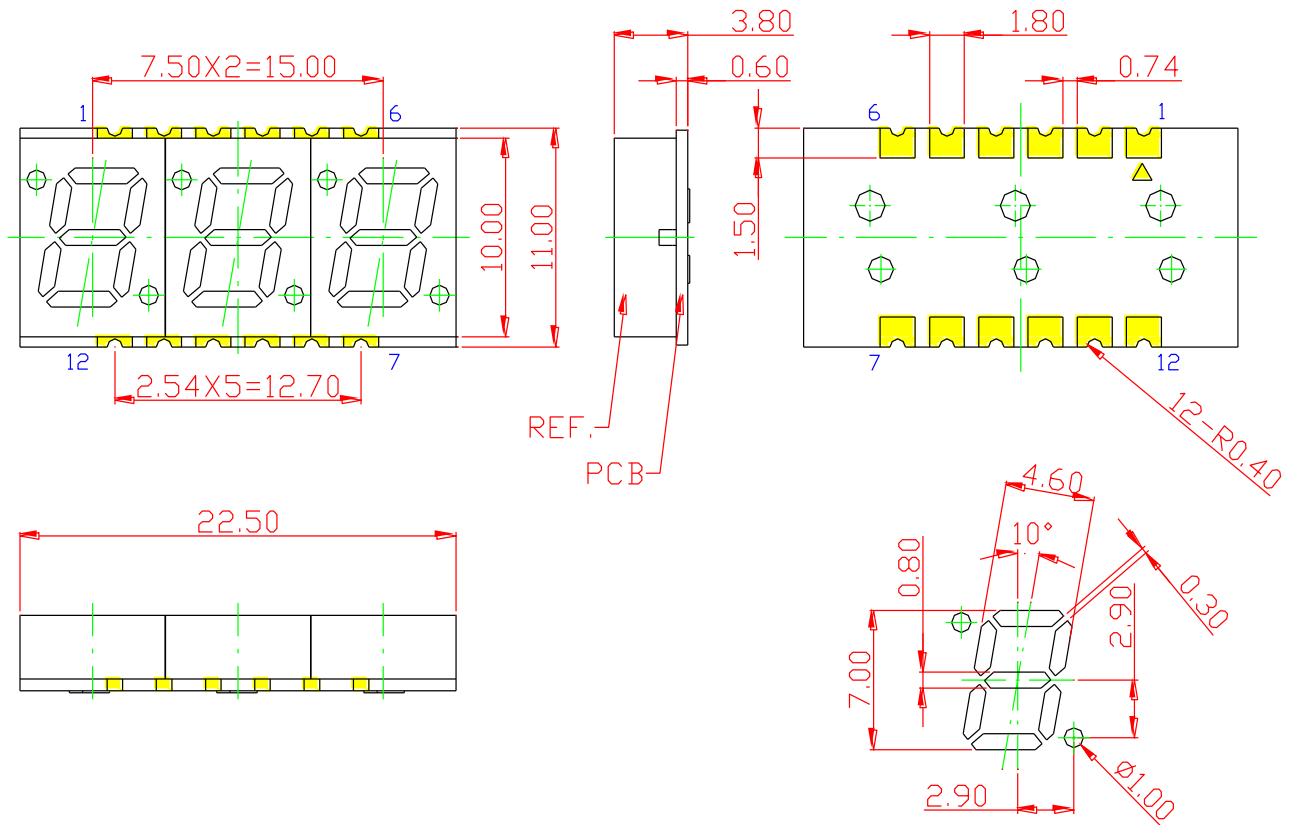
RoHS Compliance



Pb Free.



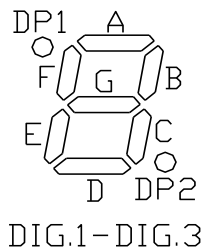
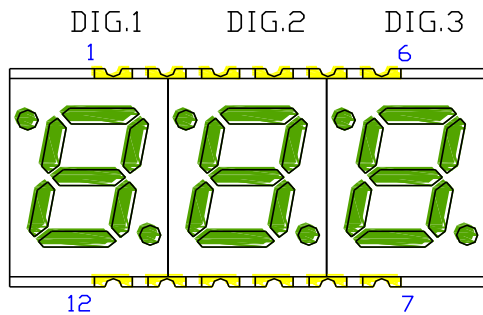
MECHANICAL DIMENSIONS



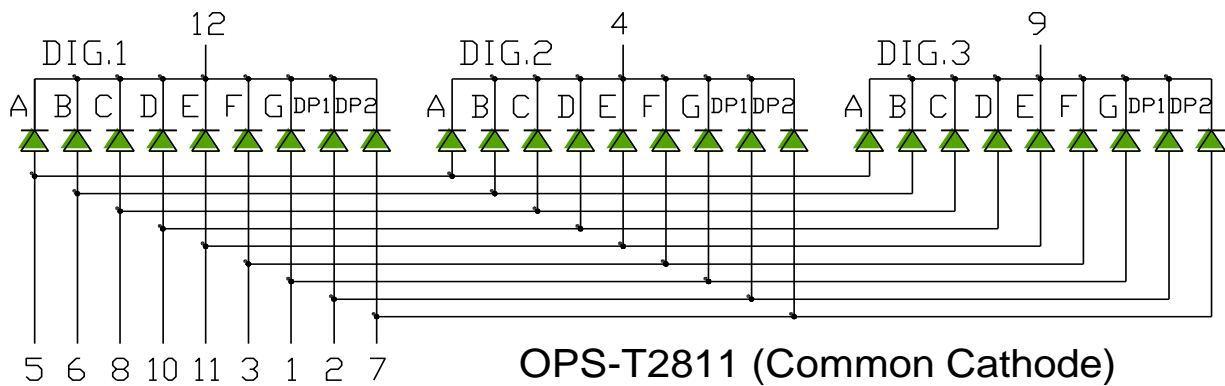
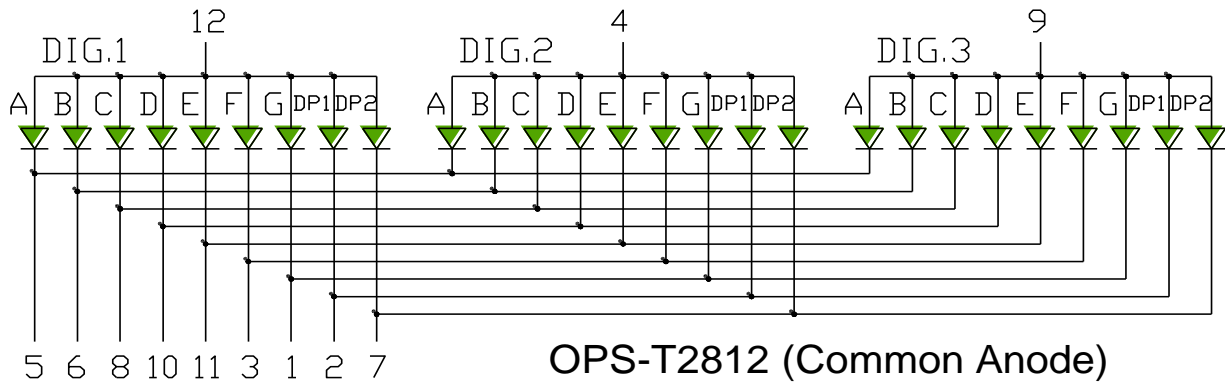
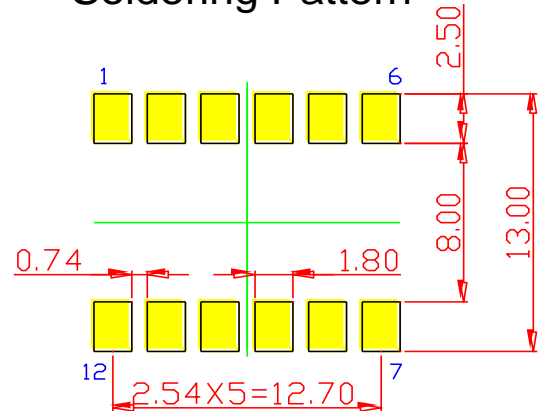
NOTES: All dimensions are in millimeters. Tolerances are ± 0.25 mm unless otherwise noted.

● TYPICAL INTERNAL EQUIVALENT CIRCUIT

Turn On Color



Recommended Soldering Pattern



※EMITTED COLOR : SUPER BRIGHT YELLOW GREEN



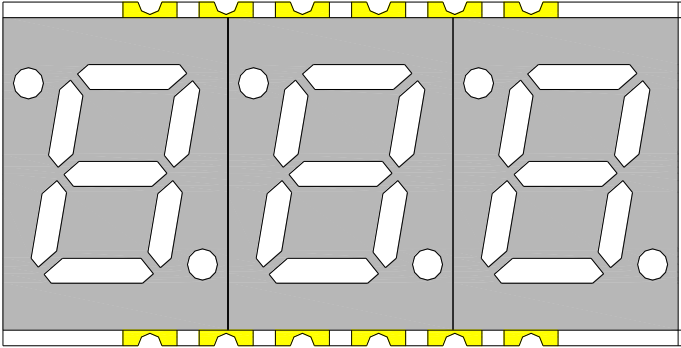
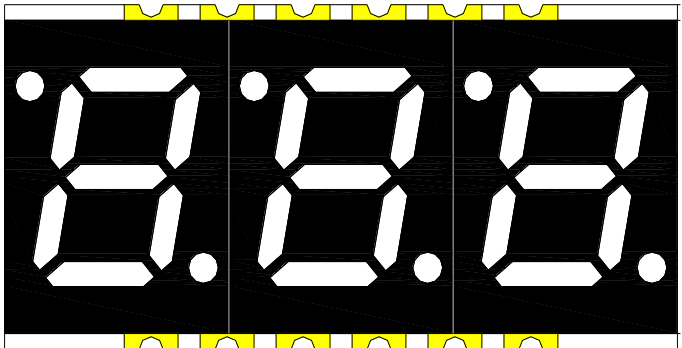
Opto Plus LED Corp.

0.28" SMD Type LED Display

OPS-T2812SYG | OPS-T2811SYG

● PRODUCT APPEARANCE

The most common reflector color and segment color are show in below diagram.

-GW	-BW
	
<ul style="list-style-type: none"> ※ REFLECTOR COLOR: Gray ※ SEGMENT COLOR: White 	<ul style="list-style-type: none"> ※ REFLECTOR COLOR: Black ※ SEGMENT COLOR: White

Opto Plus can customize reflector and segment colors by customer's request. If you have these request please visit www.opledtw.com or contact sales@opledtw.com for more **Standard Product Customization** information.

Part NO. related to reflector and segment colors show as table below.

PART NO.	DESCRIPTION
OPS-T2812SYG-GW	Common Anode Gray face White segment
OPS-T2811SYG-GW	Common Cathode Gray face White segment
OPS-T2812SYG-BW	Common Anode Black face White segment
OPS-T2811SYG-BW	Common Cathode Black face White segment



Opto Plus LED Corp.

0.28" SMD Type LED Display

OPS-T2812SYG | OPS-T2811SYG

● **SYG: SUPER BRIGHT YELLOW GREEN (AlGaInP/GaAs)**

ABSOLUTE MAXIMUM RATING AT Ta=25°C

Parameter	Symbol	Maximum Rating	Unit
Power dissipation	P _{AD}	48	mW
Continuous forward current	I _{AF}	20	mA
Peak current (duty cycle 1/10, 1kHz)	I _{PF}	40	mA
Reverse voltage	V _R	5	V
Operating temperature	T _{OPR}	-40 to +105	°C
Storage temperature	T _{STG}	-40 to +105	°C

ELECTRICAL - OPTICAL CHARACTERISTICS AT Ta=25°C

Characteristic	Symbol	Condition	Min.	Type.	Max.	Unit
Forward Voltage, (Per Dice)	V _F	I _F =20mA	-	2.1	2.4	V
Reverse Current, (Per Dice)	I _R	V _R =5V	-	-	10	μA
Peak Wavelength	λ _P	I _F =20mA	-	573	-	nm
Dominant Wavelength	λ _D	I _F =20mA	567	-	576	nm
Luminous Intensity	I _v	I _F =20mA	4	10	17	mcd
Spectral Line Half-Bandwidth	Δλ	I _F =20mA	-	20	-	nm



Opto Plus LED Corp.
0.28” SMD Type LED Display
OPS-T2812SYG | OPS-T2811SYG

● **SYG: BIN GRADE (Unit : mcd) 20mA**

Super Bright Yellow Green	H	I	J
	4.0 - 8.0	8.1 – 12.0	12.1 -17.0

● **SYG: HUE GRADE (λ_D : nm)**

1	2	3
567.0 – 570.0	570.1 – 573.0	573.1 – 576.0

● **AVAILABLE BIN / HUE TABLE**

H1	H2	H3
I1	I2	I3
J1	J2	J3



Opto Plus LED Corp.

0.28" SMD Type LED Display

OPS-T2812SYG | OPS-T2811SYG

● SYG: SUPER BRIGHT YELLOW GREEN (AlGaInP/GaAs) CURVE

Typical Electro-optical Characteristic Curves
(25 °C Free Air Temperature Unless Otherwise Specified)

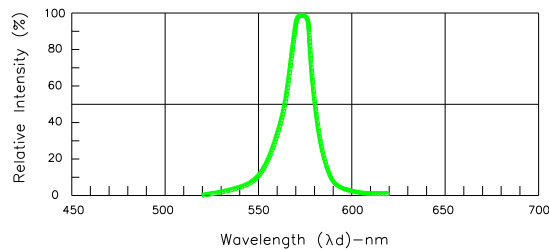


Fig.1-Relative Intensity VS. Wavelength

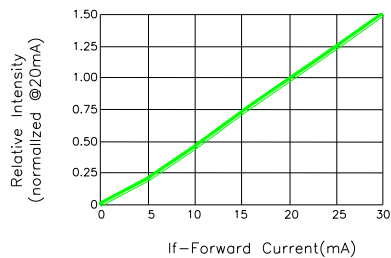


Fig.2-Relative Luminous Intensity vs. Forward Current

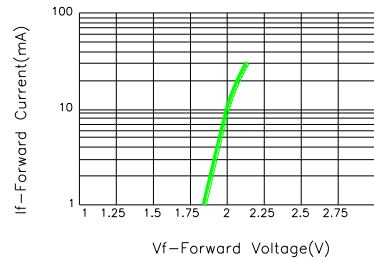


Fig.3-Forward Current vs. Forward Voltage

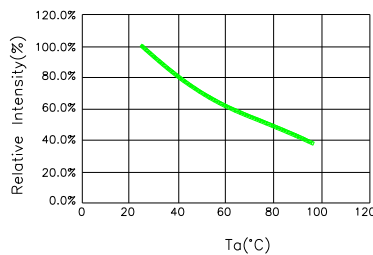


Fig.4-Relative Intensity(@20mA)VS. Ambient Temperature

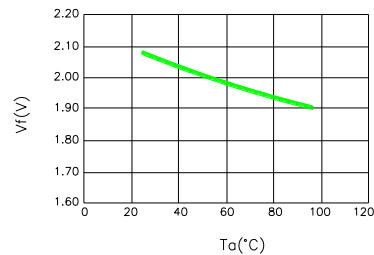


Fig.5-Forward Voltage(@20mA)VS. Ambient Temperature

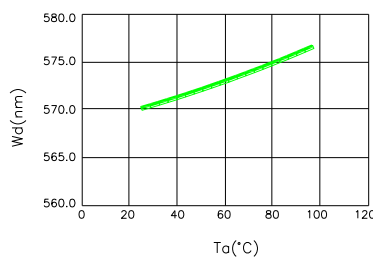


Fig.6-Dominant Wavelength(@20mA) VS. Ambient Temperature

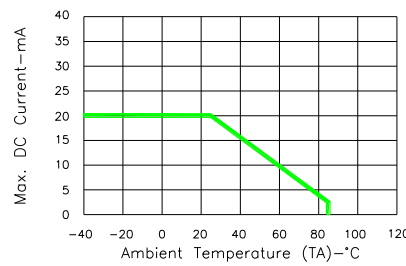
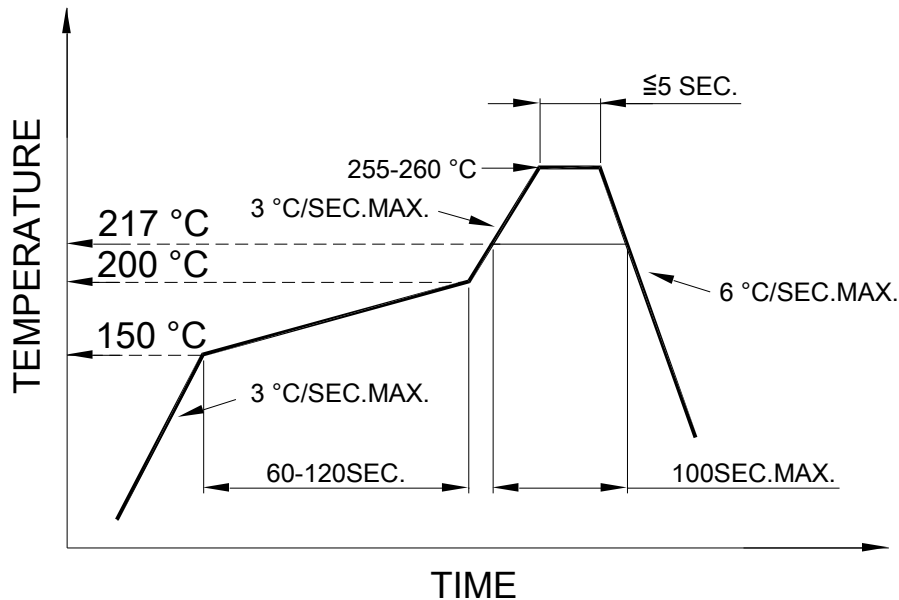


Fig.7-Max. Allowable DC Current VS. Ambient Temperature

● **SMT REFLOW SOLDERING INSTRUCTIONS**

SMT Soldering Profile
 Pb free reflow soldering Profile



- We recommend the reflow temperature 245°C (+/- 5°C).
 The maximum soldering temperature should be limited to 260°C.
- Number of reflow process shall be 2 times or less.

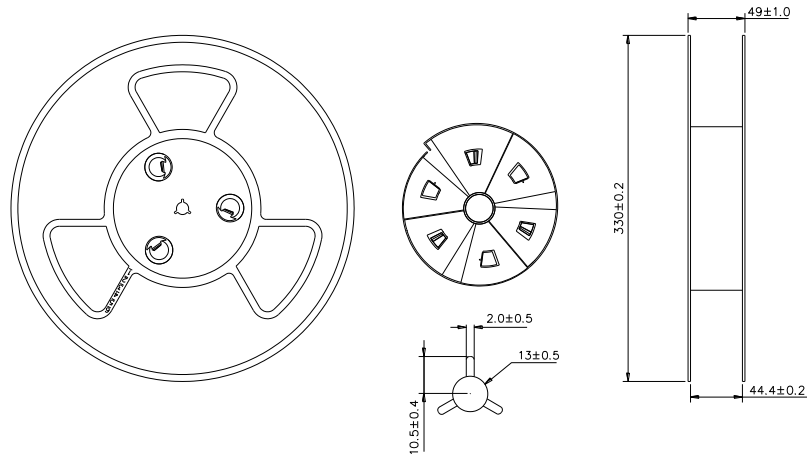
● **SOLDERING IRON**

Basic spec is ≤ 4 sec when 260°C. If temperature is higher, time should be shorter (+10°C → 1 sec). Power dissipation of Iron should be smaller than 15W, and temperature should be controllable. Surface temperature of the device should be under 230°C.

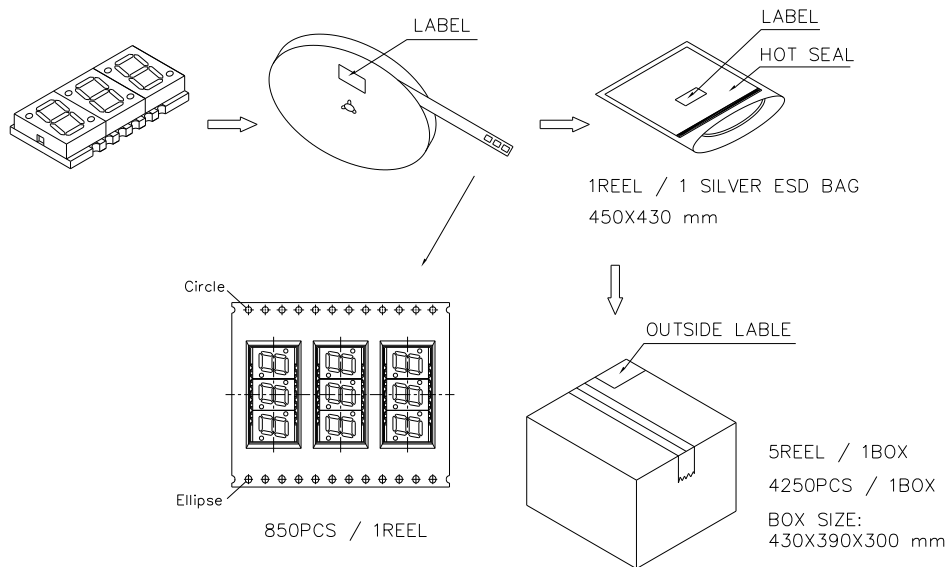
● **REWORK**

- Customer must finish rework within 3 sec. under 350°C.
- The head of soldering iron cannot touch copper foil.

● REEL DIMENSIONS



● PACKING & LABEL SPECIFICATIONS



● STORAGED CONDITION

In factory original sealed bag package

TEMPERATURE CONDITION	HUMIDITY CONDITION
5°C ~ 30°C	Below 60%RH

After opened and not in factory original sealed bag package

TEMPERATURE CONDITION	HUMIDITY CONDITION	STORAGE TIME
5°C ~ 30°C	Below 60%RH	Within 4 weeks (MSL as level 2a)