



**Opto Plus LED Corp.**  
**0.39" SMD Type LED Display**  
**OPS-Q3914SY | OPS-Q3915SY**

● **EDIT HISTORY**

Version A: Nov. 03, 2020

Preliminary Spec.

Prepared by	Checked by	Approved by



# Opto Plus LED Corp.

## 0.39" SMD Type LED Display

### OPS-Q3914SY | OPS-Q3915SY

#### ● FEATURES

- 0.39 inch (10.0 mm) digit height.
- SMD type.
- Low current operation.
- RoHS Compliant, Pb Free.

#### ● DESCRIPTION

The device are 0.39 inch (10.0mm) height quadruple digit 7-segment displays.

The device is Opto Plus LED Corp standard LED Display.

This device utilizes Super Bright Yellow LED chip which are made from AlGaInP

On a transparent GaAs, substrate.

The device has face and segment option, please refer to **PRODUCT APPEARANCE**.

#### ● DEVICE

PART NO.	DESCRIPTION
OPS-Q3914SY-GW	Common Anode   Gray face   White segment
OPS-Q3915SY-GW	Common Cathode   Gray face   White segment
OPS-Q3914SY-BW	Common Anode   Black face   White segment
OPS-Q3915SY-BW	Common Cathode   Black face   White segment

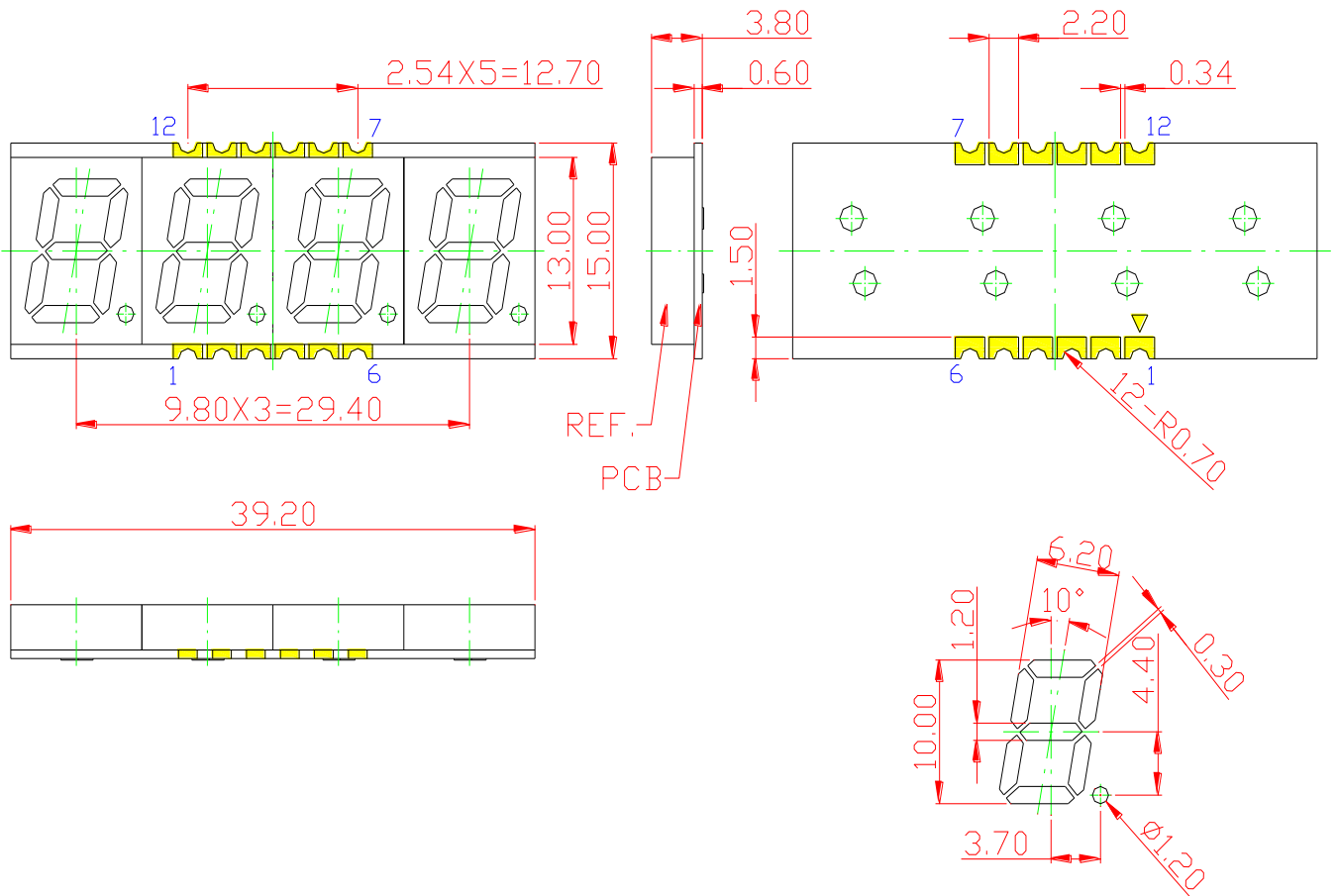
#### RoHS Compliance



#### Pb Free.



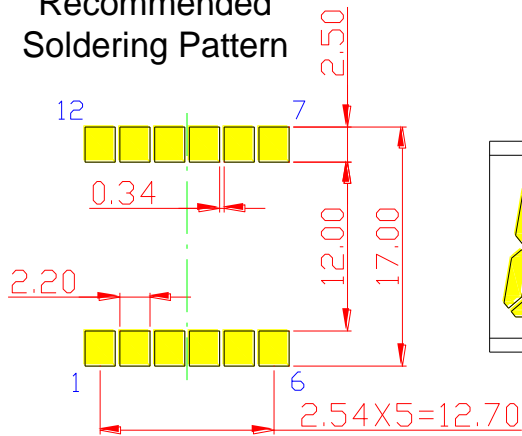
### MECHANICAL DIMENSIONS



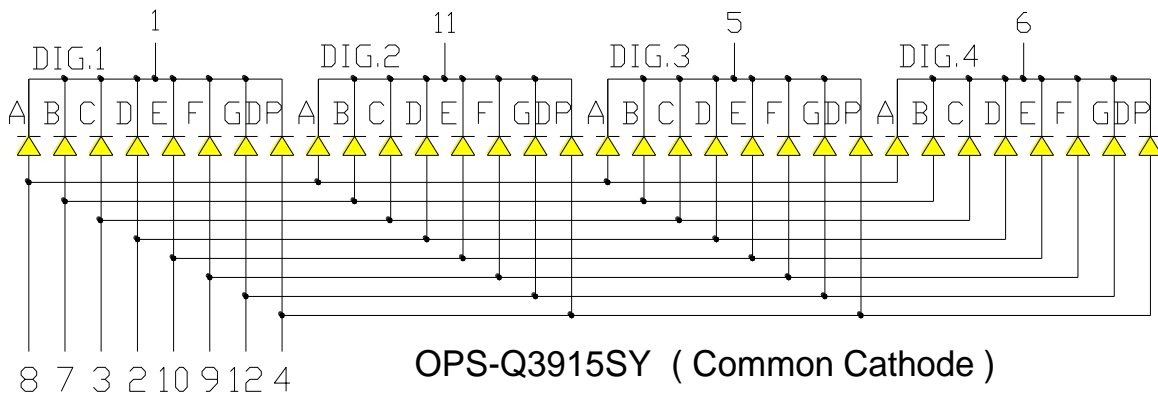
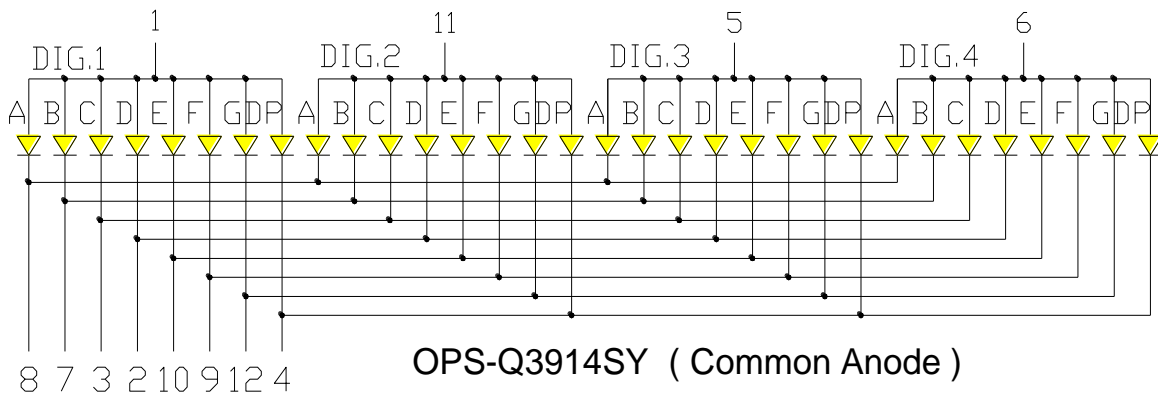
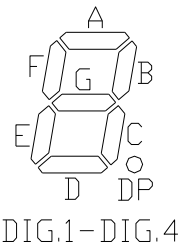
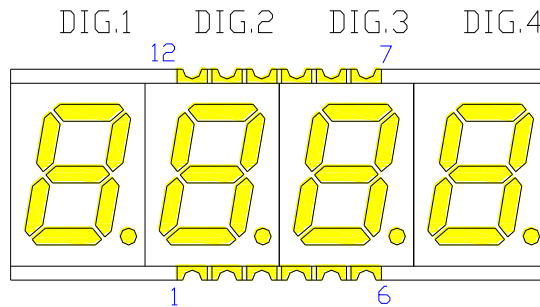
NOTES: All dimensions are in millimeters. Tolerances are  $\pm 0.25$  mm unless otherwise noted.

#### ● TYPICAL INTERNAL EQUIVALENT CIRCUIT

Recommended Soldering Pattern



Turn On Color



※EMITTED COLOR : SUPER BRIGHT YELLOW



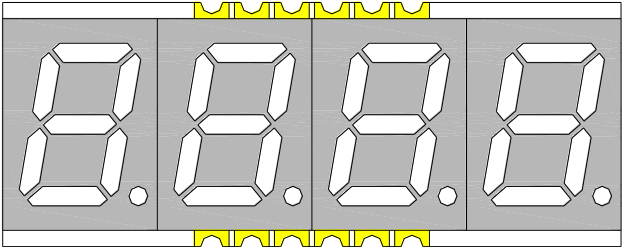
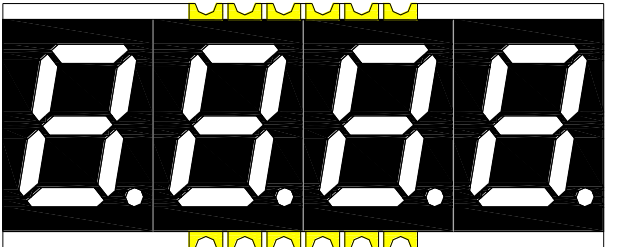
# Opto Plus LED Corp.

## 0.39" SMD Type LED Display

### OPS-Q3914SY | OPS-Q3915SY

## ● PRODUCT APPEARANCE

The most common reflector color and segment color are show in below diagram.

-GW	-BW
	
<ul style="list-style-type: none"> <li>※ REFLECTOR COLOR: Gray</li> <li>※ SEGMENT COLOR: White</li> </ul>	<ul style="list-style-type: none"> <li>※ REFLECTOR COLOR: Black</li> <li>※ SEGMENT COLOR: White</li> </ul>

Opto Plus can customize reflector and segment colors by customer's request. If you have these request please visit [www.opledtw.com](http://www.opledtw.com) or contact [sales@opledtw.com](mailto:sales@opledtw.com) for more **Standard Product Customization** information.

Part NO. related to reflector and segment colors show as table below.

PART NO.	DESCRIPTION
OPS-Q3914SY-GW	Common Anode   Gray face   White segment
OPS-Q3915SY-GW	Common Cathode   Gray face   White segment
OPS-Q3914SY-BW	Common Anode   Black face   White segment
OPS-Q3915SY-BW	Common Cathode   Black face   White segment



# Opto Plus LED Corp.

## 0.39" SMD Type LED Display

### OPS-Q3914SY | OPS-Q3915SY

● **SY: SUPER BRIGHT YELLOW (AlGaInP/GaAs)**

ABSOLUTE MAXIMUM RATING AT Ta=25°C

Parameter	Symbol	Maximum Rating	Unit
Power dissipation	P <sub>AD</sub>	48	mW
Continuous forward current	I <sub>AF</sub>	20	mA
Peak current (duty cycle 1/10, 1kHz)	I <sub>PF</sub>	40	mA
Reverse voltage	V <sub>R</sub>	5	V
Operating temperature	T <sub>OPR</sub>	-40 to +105	°C
Storage temperature	T <sub>STG</sub>	-40 to +105	°C

ELECTRICAL - OPTICAL CHARACTERISTICS AT Ta=25°C

Characteristic	Symbol	Condition	Min.	Type.	Max.	Unit
Forward Voltage, (Per Dice)	V <sub>F</sub>	I <sub>F</sub> =20mA	-	2.1	2.4	V
Reverse Current, (Per Dice)	I <sub>R</sub>	V <sub>R</sub> =5V	-	-	10	μA
Peak Wavelength	λ <sub>P</sub>	I <sub>F</sub> =20mA	-	593	-	nm
Dominant Wavelength	λ <sub>D</sub>	I <sub>F</sub> =20mA	585	-	595	nm
Luminous Intensity	I <sub>V</sub>	I <sub>F</sub> =20mA	25	47.5	70	mcd
Spectral Line Half-Bandwidth	Δλ	I <sub>F</sub> =20mA	-	20	-	nm



**Opto Plus LED Corp.**  
**0.39” SMD Type LED Display**  
**OPS-Q3914SY | OPS-Q3915SY**

● **SY: BIN GRADE (Unit : mcd) 20mA**

Super Bright Yellow	M	N	O
	25.0 - 40.0	40.1 – 55.0	55.1 - 70.0

● **SY: HUE GRADE ( $\lambda_D$  : nm)**

1	2	3
585.0 – 588.0	588.1 – 592.0	592.1 – 595.0

● **AVAILABLE BIN / HUE TABLE**

M1	M2	M3
N1	N2	N3
O1	O2	O3



# Opto Plus LED Corp.

## 0.39" SMD Type LED Display

### OPS-Q3914SY | OPS-Q3915SY

#### ● SY: SUPER BRIGHT YELLOW (AlGaInP/GaAs) CURVE

Typical Electro-optical Characteristic Curves  
(25 °C Free Air Temperature Unless Otherwise Specified)

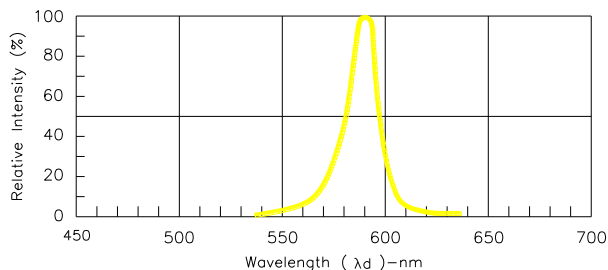


Fig.1-Relative Intensity VS. Wavelength

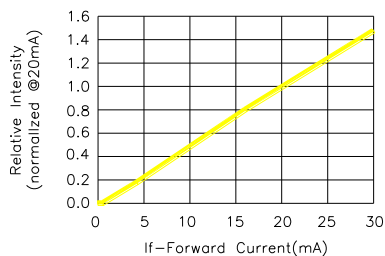


Fig.2-Relative Luminous Intensity vs. Forward Current

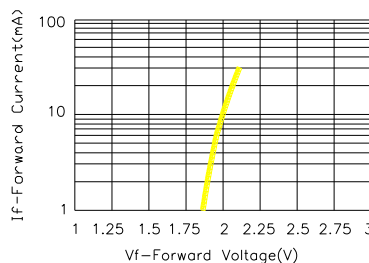


Fig.3-Forward Current vs. Forward Voltage

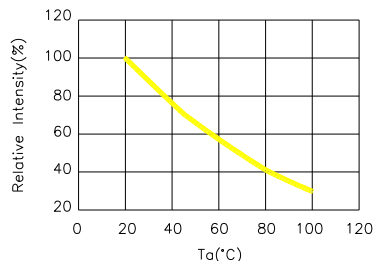


Fig.4-Relative Intensity(@20mA) vs. Ambient Temperature

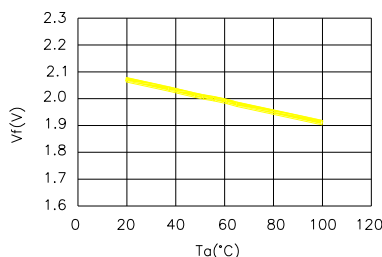


Fig.5-Forward Voltage(@20mA) vs. Ambient Temperature

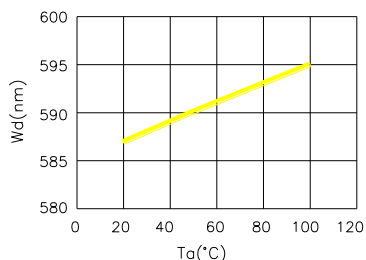


Fig.6-Dominant Wavelength(@20mA) VS. Ambient Temperature

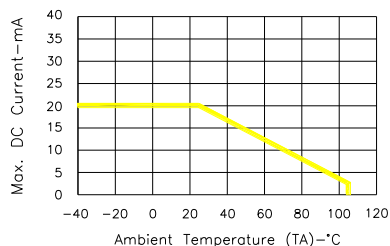


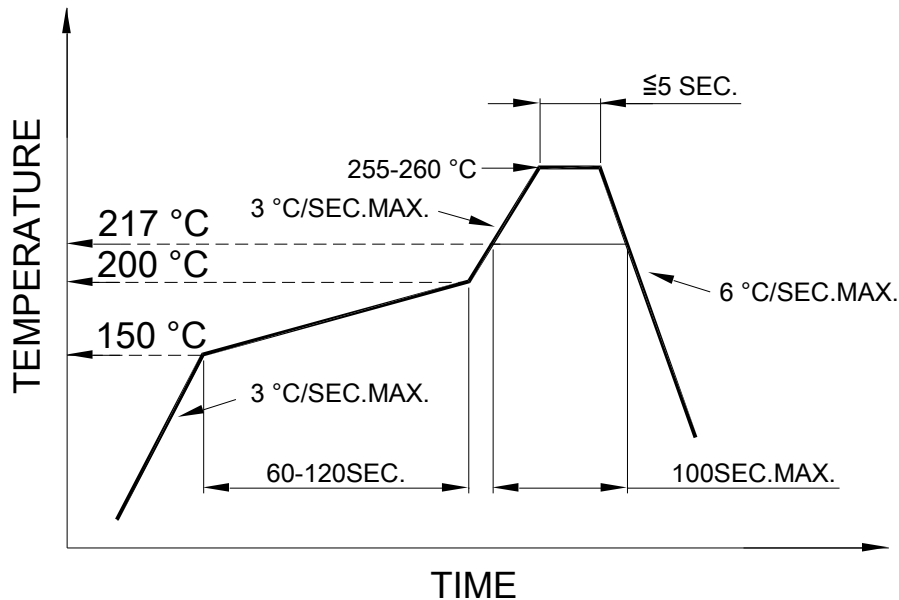
Fig.7-Max. Allowable DC Current VS. Ambient Temperature



## ● SMT REFLOW SOLDERING INSTRUCTIONS

SMT Soldering Profile

Pb free reflow soldering Profile



- We recommend the reflow temperature 245°C (+/- 5°C).  
The maximum soldering temperature should be limited to 260°C.
- Number of reflow process shall be 2 times or less.

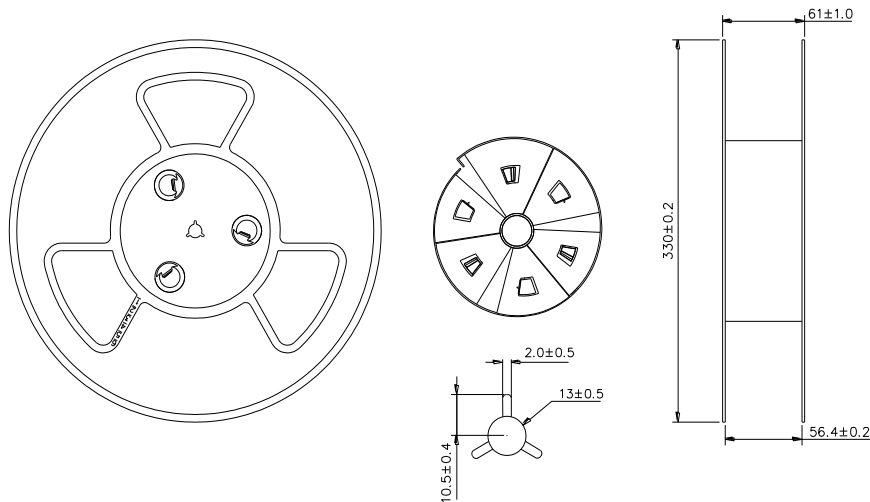
## ● SOLDERING IRON

Basic spec is  $\leq 4$  sec when 260°C. If temperature is higher, time should be shorter (+10°C → 1 sec). Power dissipation of Iron should be smaller than 15W, and temperature should be controllable. Surface temperature of the device should be under 230°C.

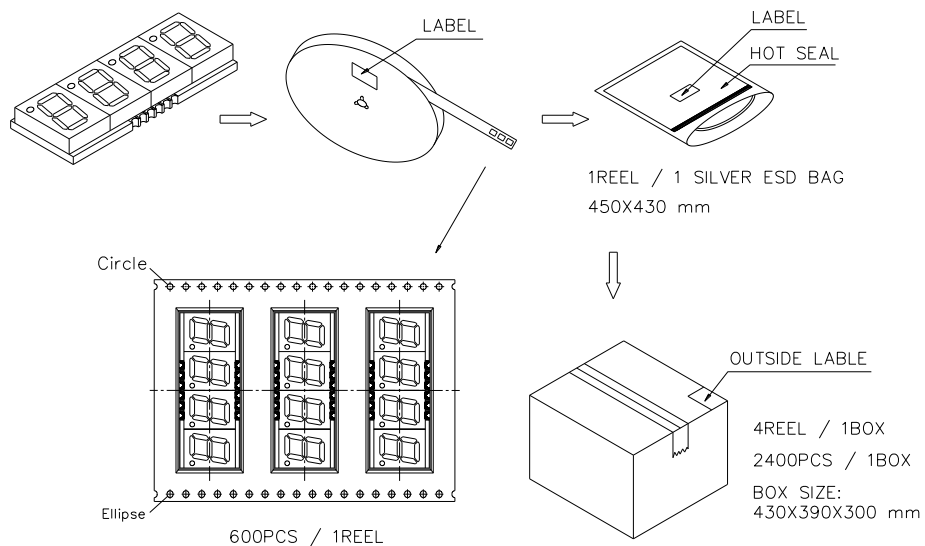
## ● REWORK

- Customer must finish rework within 3 sec. under 350°C.
- The head of soldering iron cannot touch copper foil.

### ● REEL DIMENSIONS



### ● PACKING & LABEL SPECIFICATIONS



### ● STORAGE CONDITION

In factory original sealed bag package

TEMPERATURE CONDITION	HUMIDITY CONDITION
5°C ~ 30°C	Below 60%RH

After opened and not in factory original sealed bag package

TEMPERATURE CONDITION	HUMIDITY CONDITION	STORAGE TIME
5°C ~ 30°C	Below 60%RH	Within 4 weeks (MSL as level 2a)